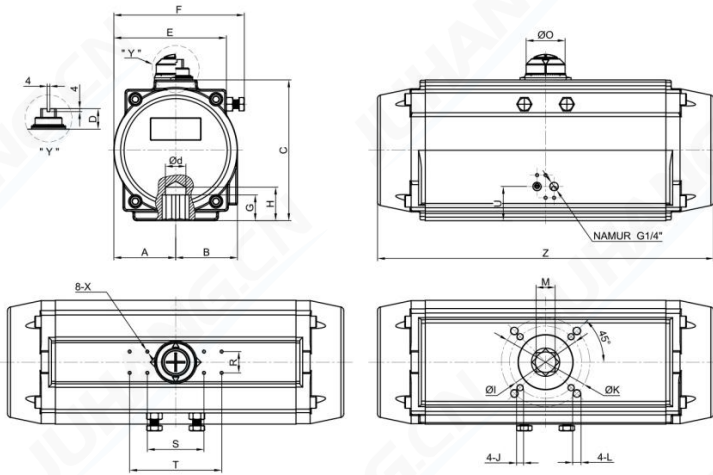


JHA0665DA 90° DATASHEET



Reference Parameters		
Cylinder size	160	mm
Weight	20	kg
Air volume	Open	3.77
	Close	5.42
Cycle speed*①	Open	<2
	Close	<2
Pressure rang	2 up to 8	bar(g)
Media	Clean,dry and non-corrosive compressed air	
Temperature	High	-15 up to 150
	Standard	-20 up to 80
	Low	-40 up to 80
Flange	F10&F12	
Stroke	90±5	°

> According to EN 15714-3 & ISO 5211

>*①. Test conditions: clean air with a pressure of 6 bar,the diameter of the pipe is 10 mm,and the temperature is room temperature.

Dimensions in mm																						
Model	A	B	C	D	E	F	G	H	φI	J	φK	L	M	R	S	T	O	U	φd	Z	X	Air connection
JHA0665DA	87	87	199	30	159	184	36	47	102	M10*16	125	M12*20	27	30	80	130	55	48	29	475	M5*8	G1/4"

OUTPUT TORQUE (Unit:N.m)

Model	Air Supply Pressure in bar(g)										
	2	2.5	3	3.5	4	4.5	5	5.5	6	7	8
JHA0665DA	268	334	401	468	535	602	669	736	803	937	1070

OUTPUT TORQUE (Unit:lbf.in)

Model	Air Supply Pressure in psi										
	29	36	44	51	58	65	73	80	87	102	116
JHA0665DA	2372	2956	3549	4142	4735	5328	5921	6514	7107	8293	9470

Notes:

> 1 bar(g) = 14.5038 psi ; 1 N.m = 8.8507 lbf.in

> For further information regarding options , materials , certifications and additional execution please contact JUHANG's sales office.

> Flange and bi-square drive shall comply with ISO 5211 standard.

> Solenoid valve mounting interface according to VDI/VDE 3845(NAMUR)

