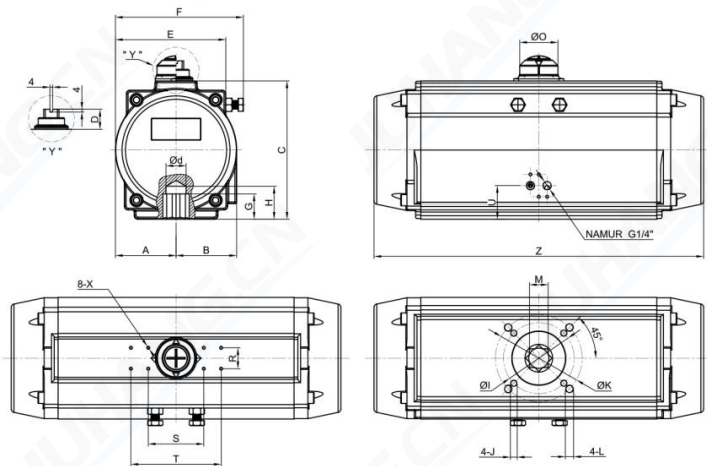


JHA0665SR 90° DATASHEET



Reference Parameters		
Cylinder size	160	mm
Weight	23	kg
Air volume	Open	3.77
	Close	-
Cycle speed*①	Open	<2
	Close	<2
Pressure rang	2 up to 8	bar(g)
Media	Clean,dry and non-corrosive compressed air	
Temperature	High	-15 up to 150
	Standard	-20 up to 80
	Low	-40 up to 80
Flange	F10&F12	
Stroke	90±5	°

> According to EN 15714-3 & ISO 5211

>*①. Test conditions: clean air with a pressure of 6 bar,the diameter of the pipe is10 mm,and the temperature is room temperature.

Dimensions in mm

Model	A	B	C	D	E	F	G	H	φI	J	φK	L	M	R	S	T	O	U	φd	Z	X	Air connection
JHA0665SR	87	87	199	30	159	184	36	47	102	M10*16	125	M12*20	27	30	80	130	55	48	29	475	M5*8	G1/4"

OUTPUT TORQUE (Unit:N.m)

Model	Air Supply Pressure in bar(g)																Spring output				
	Spring	2.5		3		4		4.5		5		5.5		6		7		8		Start	End
	Type	0°	90°	0°	90°	0°	90°	0°	90°	0°	90°	0°	90°	0°	90°	0°	90°	0°	90°		
JHA0665SR	K6	165	79	232	146	365	279	431	345	498	412									254	167
	K8			176	61	309	194	375	260	442	327	509	394	575	460	709	593			338	223
	K10					253	109	320	176	387	243	453	309	520	376	653	509	786	642	423	279
	K12									331	158	397	225	464	291	597	424	730	557	508	335

OUTPUT TORQUE (Unit:lbf.in)

Model	Air Supply Pressure in psi																Spring output				
	Spring	36		44		58		65		73		80		87		102		116		Start	End
	Type	0°	90°	0°	90°	0°	90°	0°	90°	0°	90°	0°	90°	0°	90°	0°	90°	0°	90°		
JHA0665SR	K6	1460	699	2053	1292	3231	2469	3815	3053	4408	3646									2248	1478
	K8			1558	540	2735	1717	3319	2301	3912	2894	4505	3487	5089	4071	6275	5248			2992	1974
	K10					2239	965	2832	1558	3425	2151	4009	2735	4602	3328	5780	4505	6957	5682	3744	2469
	K12									2930	1398	3514	1991	4107	2576	5284	3753	6461	4930	4496	2965

Notes:

> 1 bar(g) = 14.5038 psi ; 1 N.m = 8.8507 lbf.in

> For further information regarding options , materials , certifications and additional execution please contact JUHANG's sales office.

> Flange and bi-square drive shall comply with ISO 5211 standard.

> Solenoid valve mounting interface according to VDI/VDE 3845(NAMUR)

